

---

FINWOOD PRODUCTS LIMITED

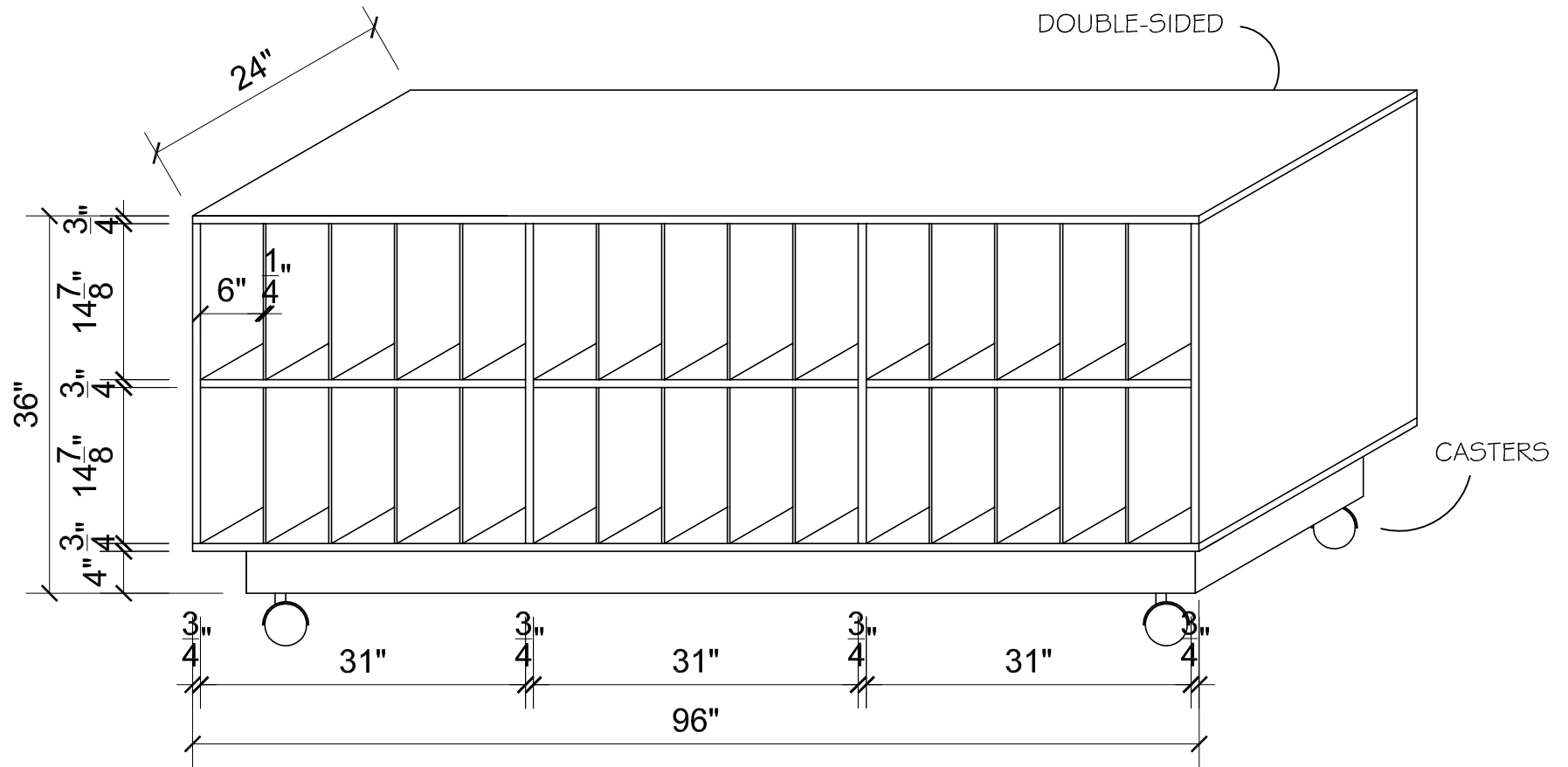
---

MILLWORK DESIGNERS

- \* Standard & custom size pieces to fit your needs
- \* Available in different styles and designs
- \* Constructed from top quality material



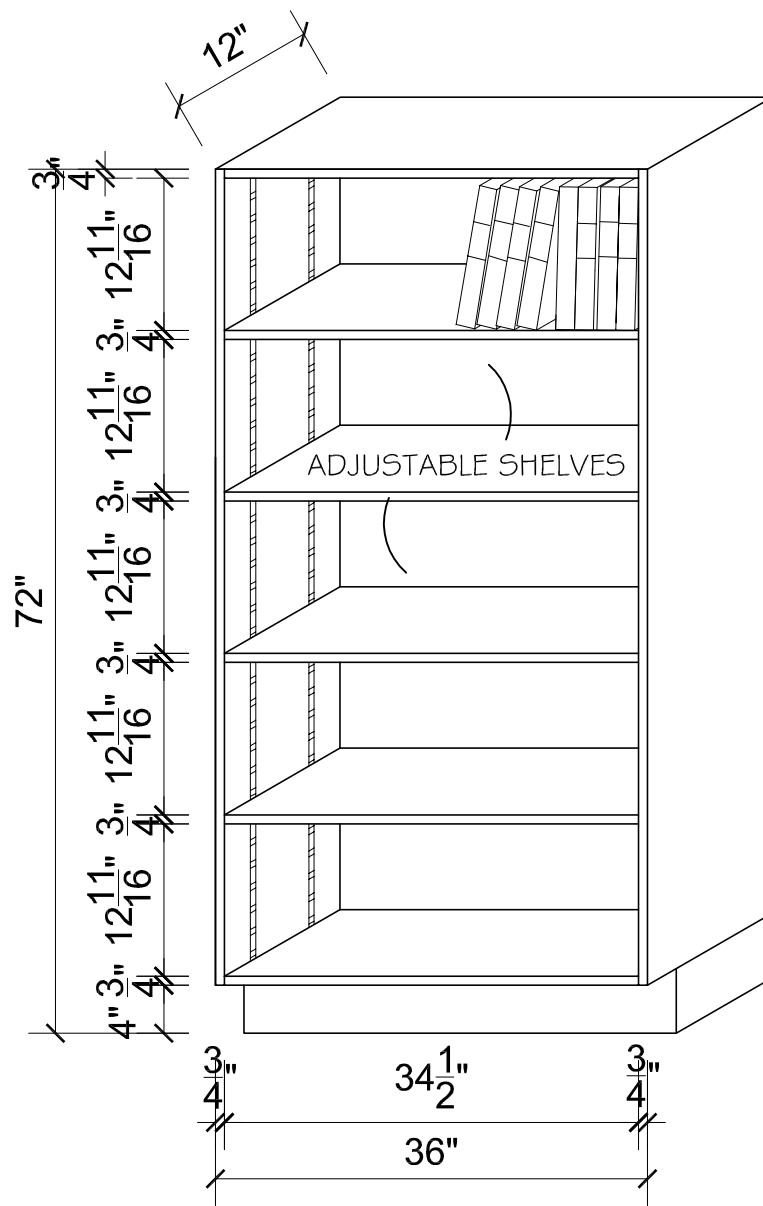
# Classroom & Library Shelving Units



96" X 36" DOUBLE SIDED UNIT WITH DIVIDED SHELVES ON CASTERS

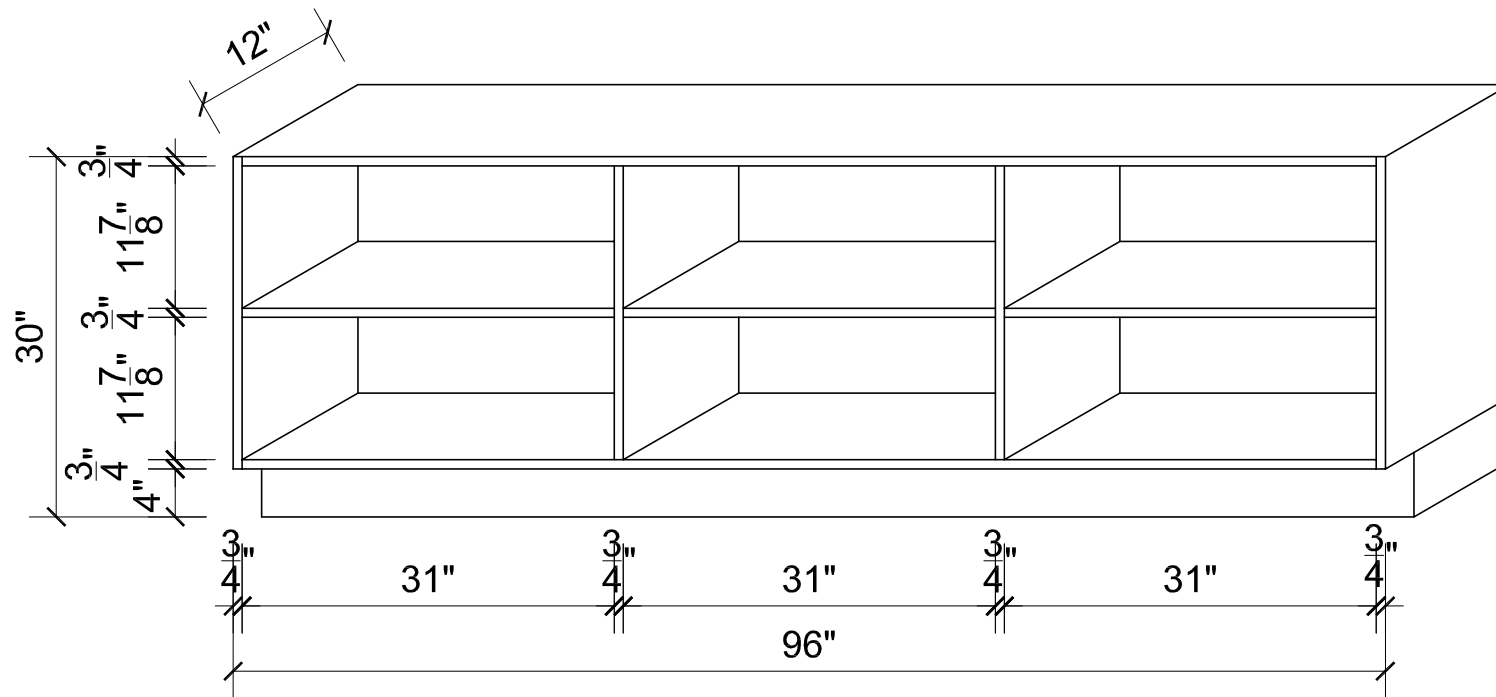






36" x 72" ADJUSTABLE SHELVING UNIT

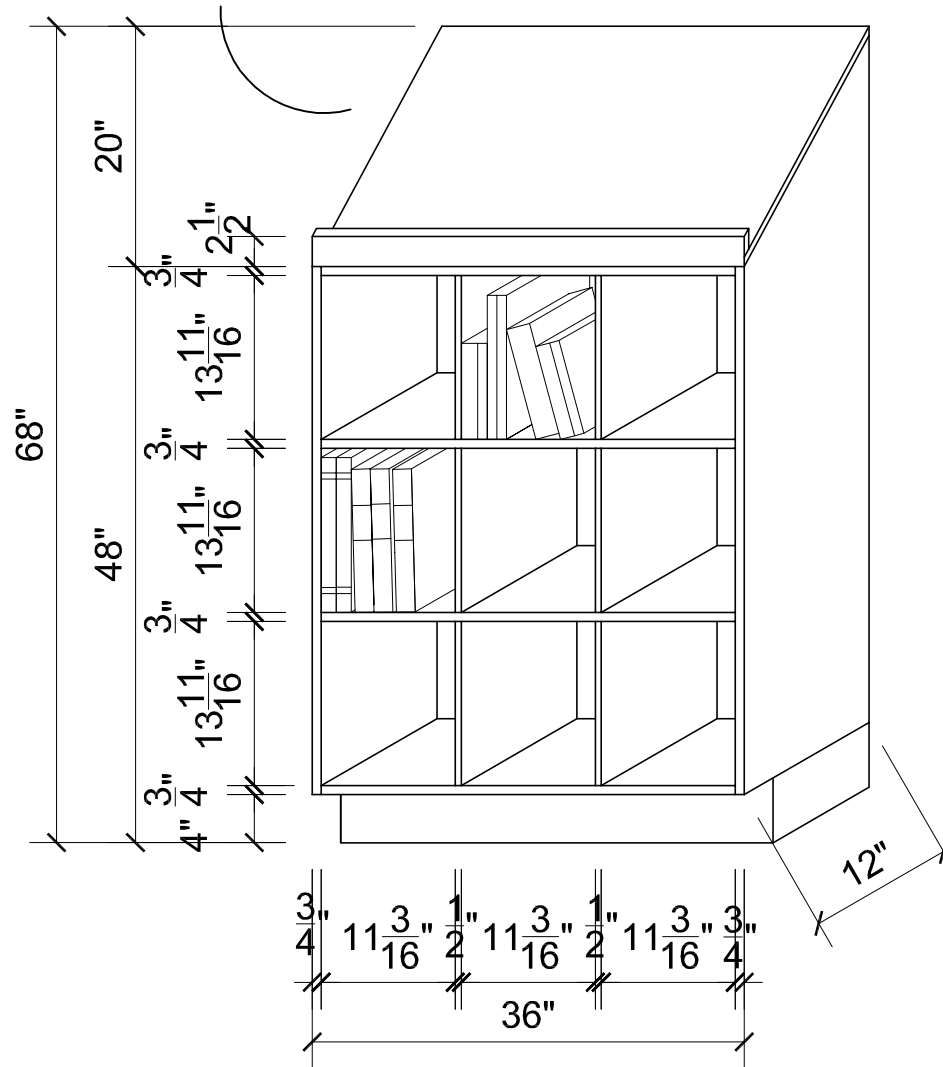




96" X 30" UNIT WITH 6 WIDE SHELVES

A6

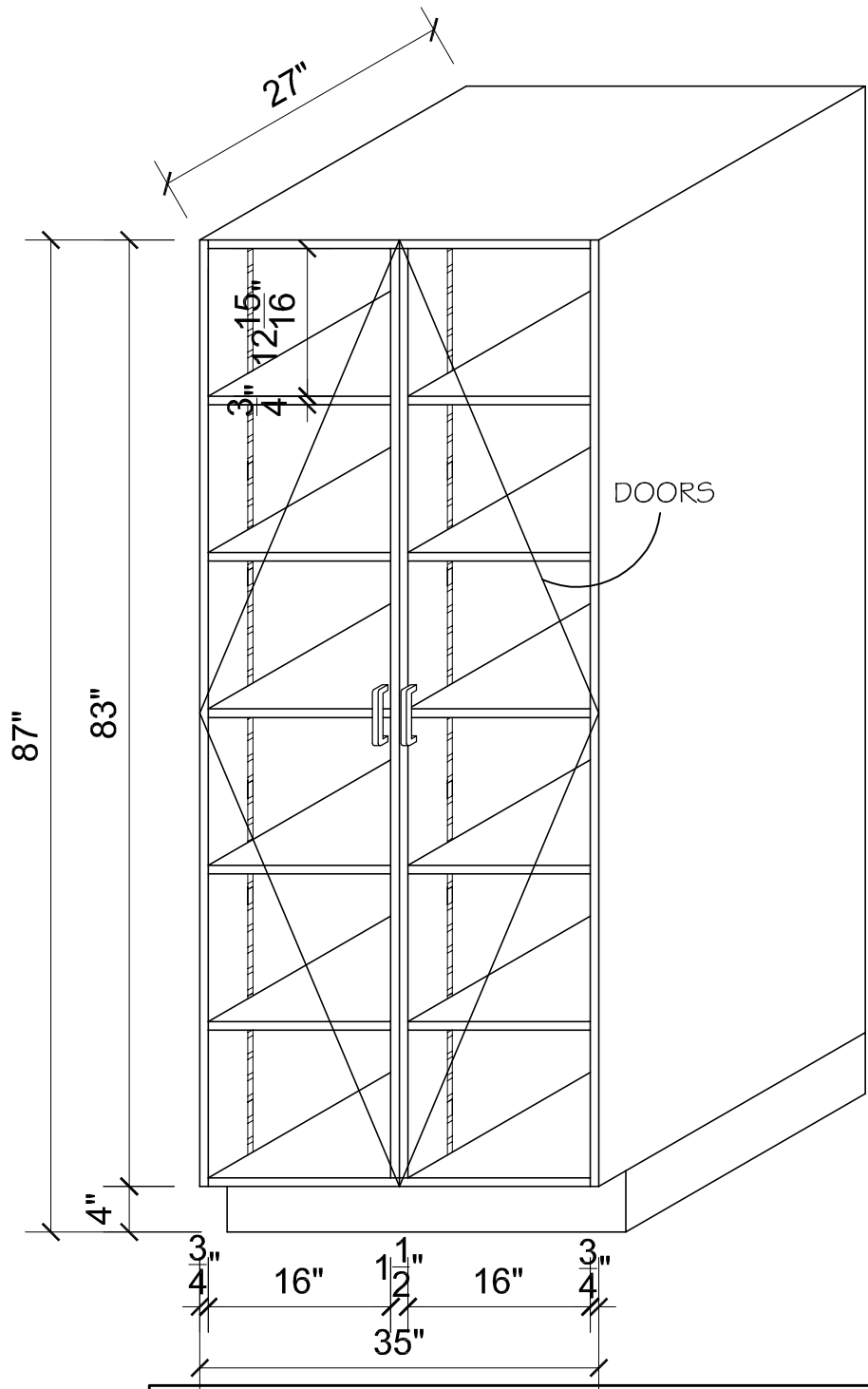
FLIP-UP DOOR W/ LIP TO HOLD  
BOOKS UP FOR DISPLAY



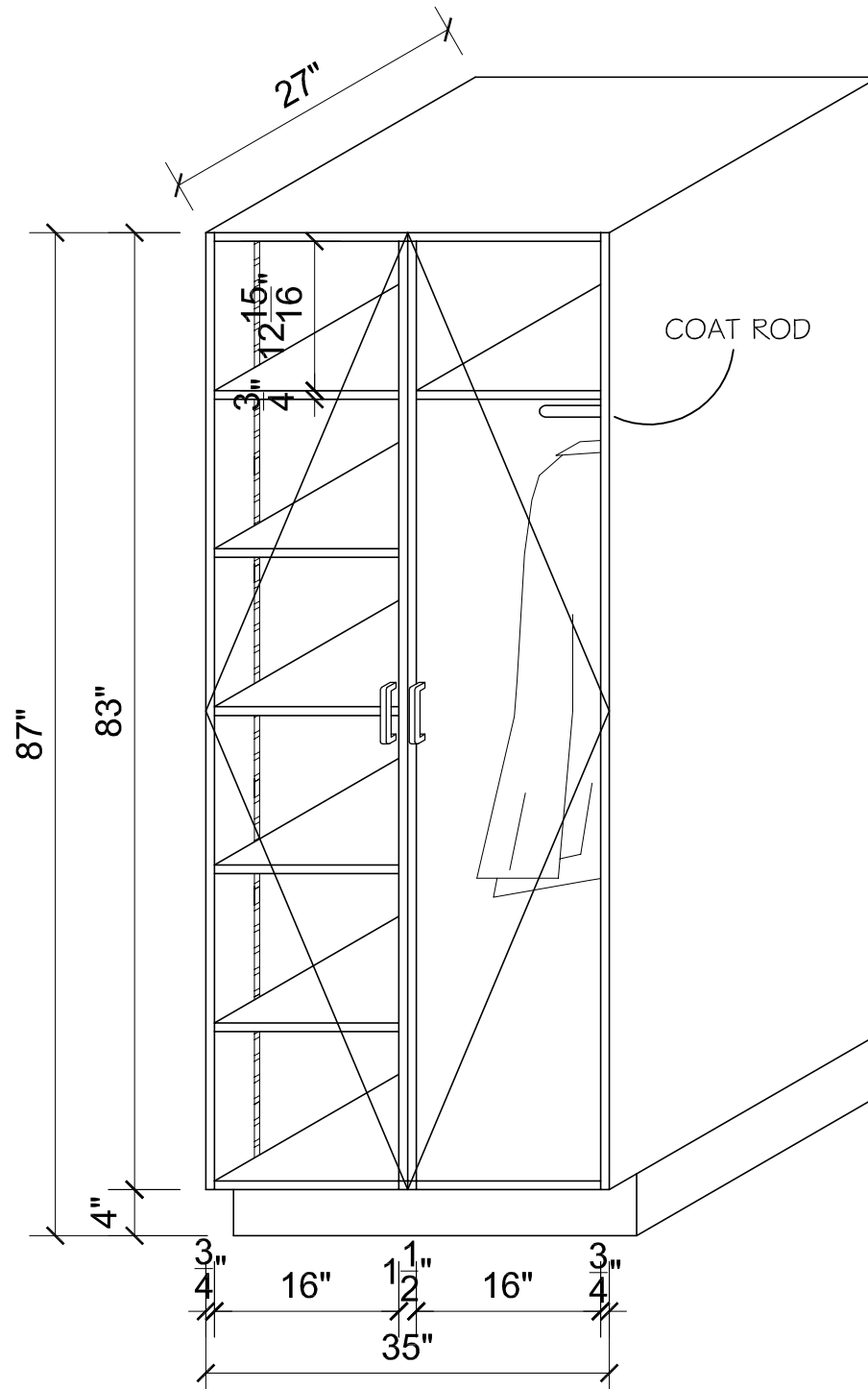
36" X 48" UNIT WITH CUBBIES AND FLIP UP DOOR ABOVE





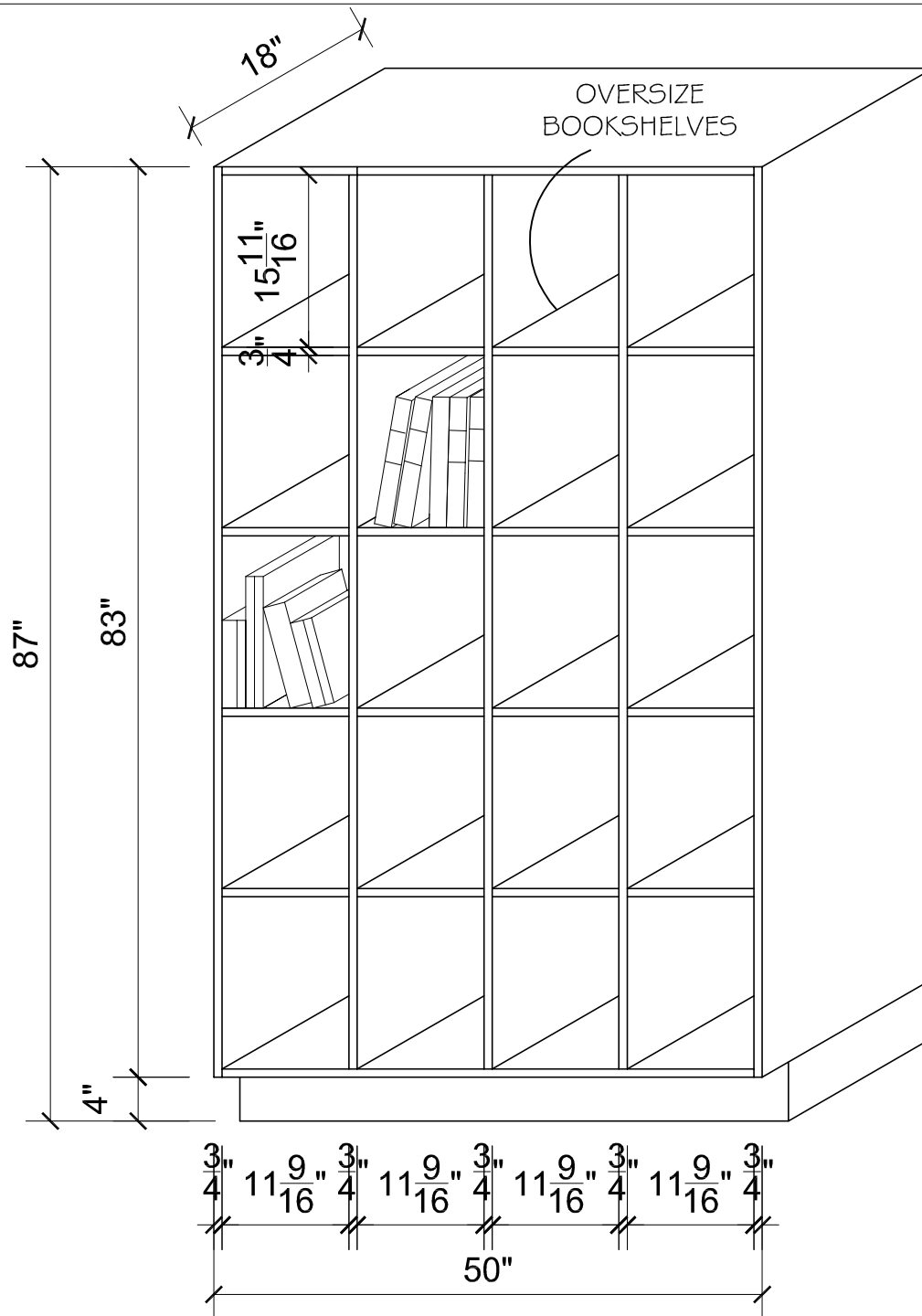


35" X 87" ADJUSTABLE SHELVING UNIT WITH DOORS



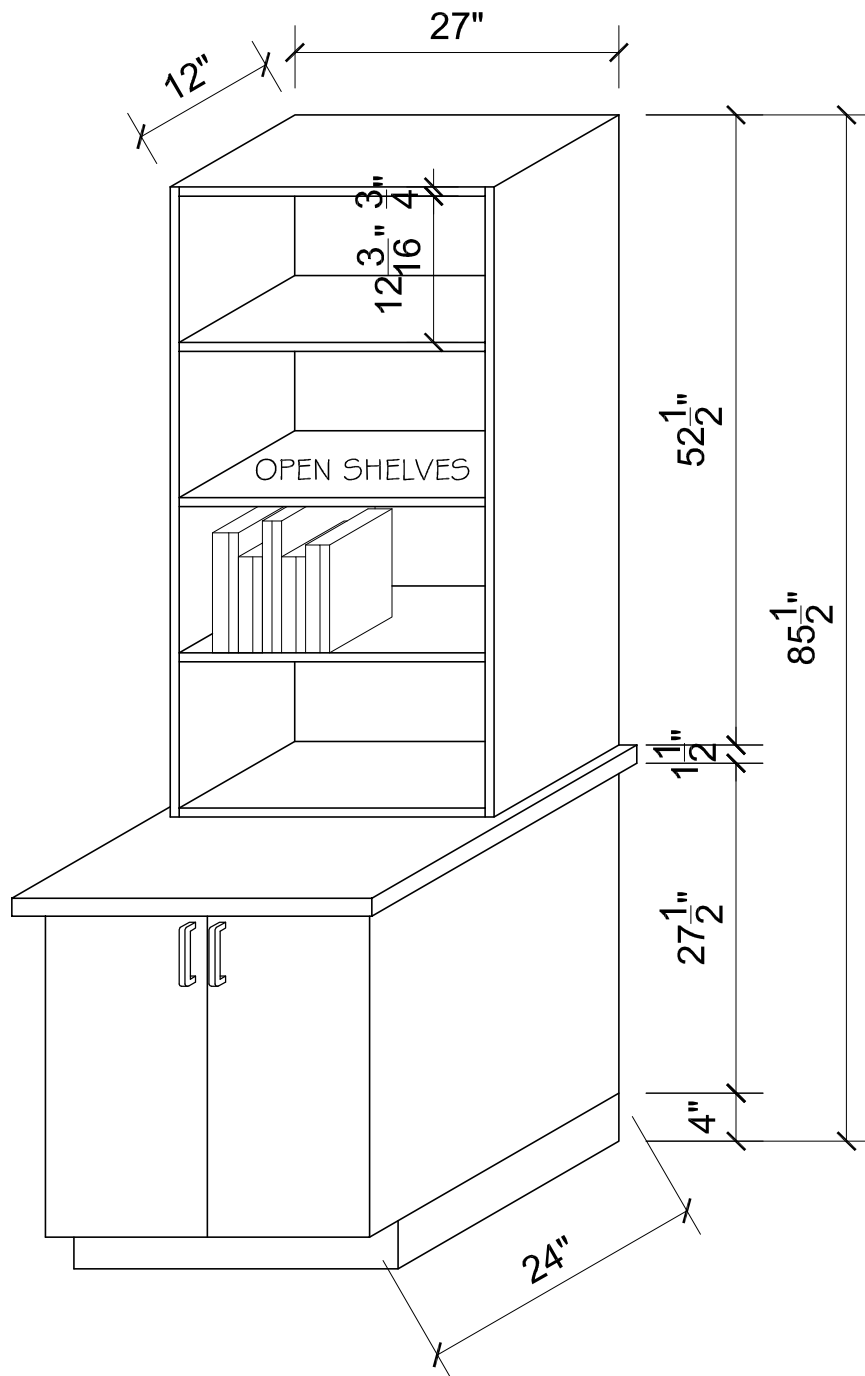
35" x 87" UNIT WITH ADJ. SHELVES AND COAT ROD BEHIND DOORS

A10



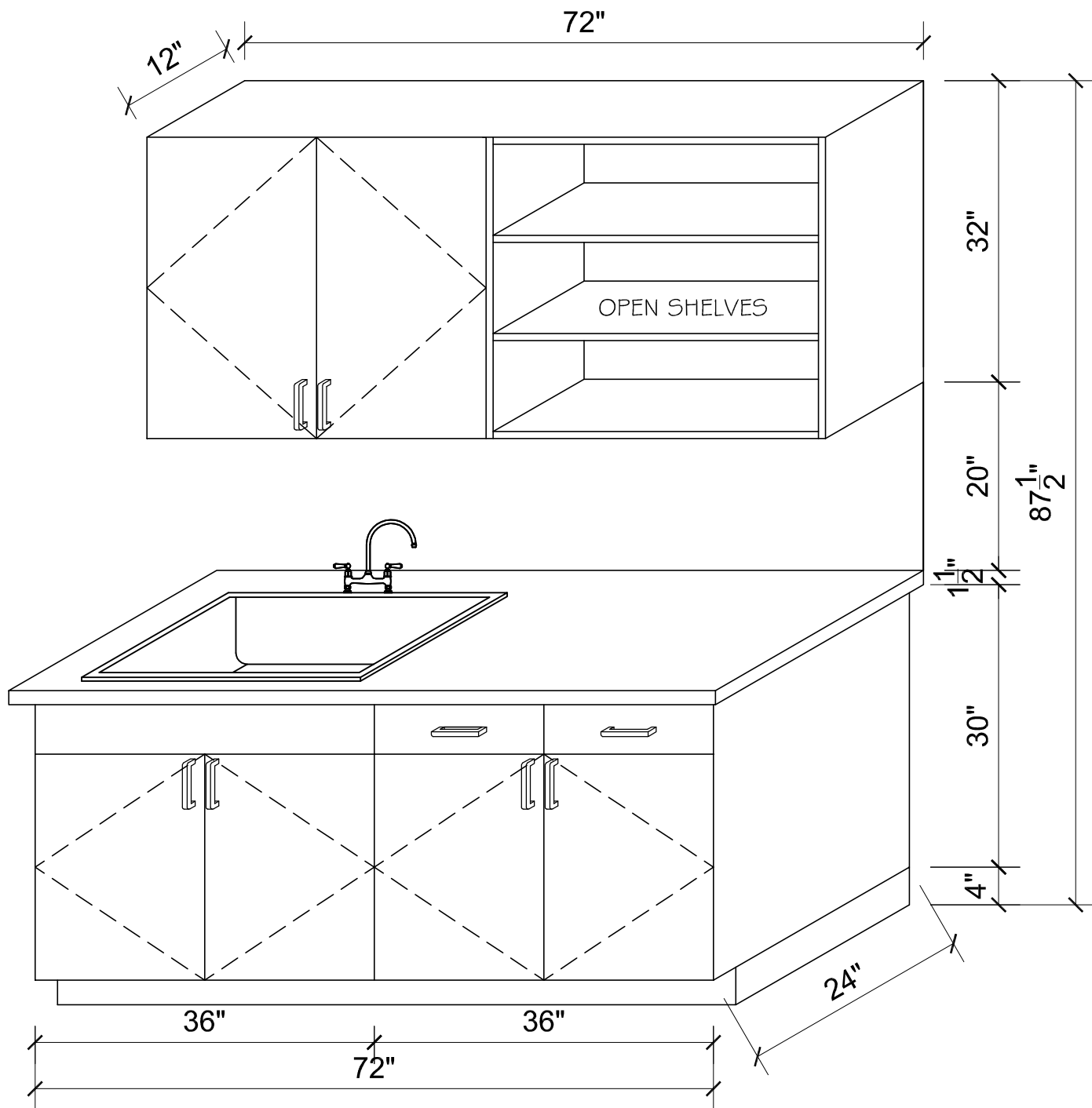
50" X 87" UNIT WITH 20 TALL CUBBIES

A11

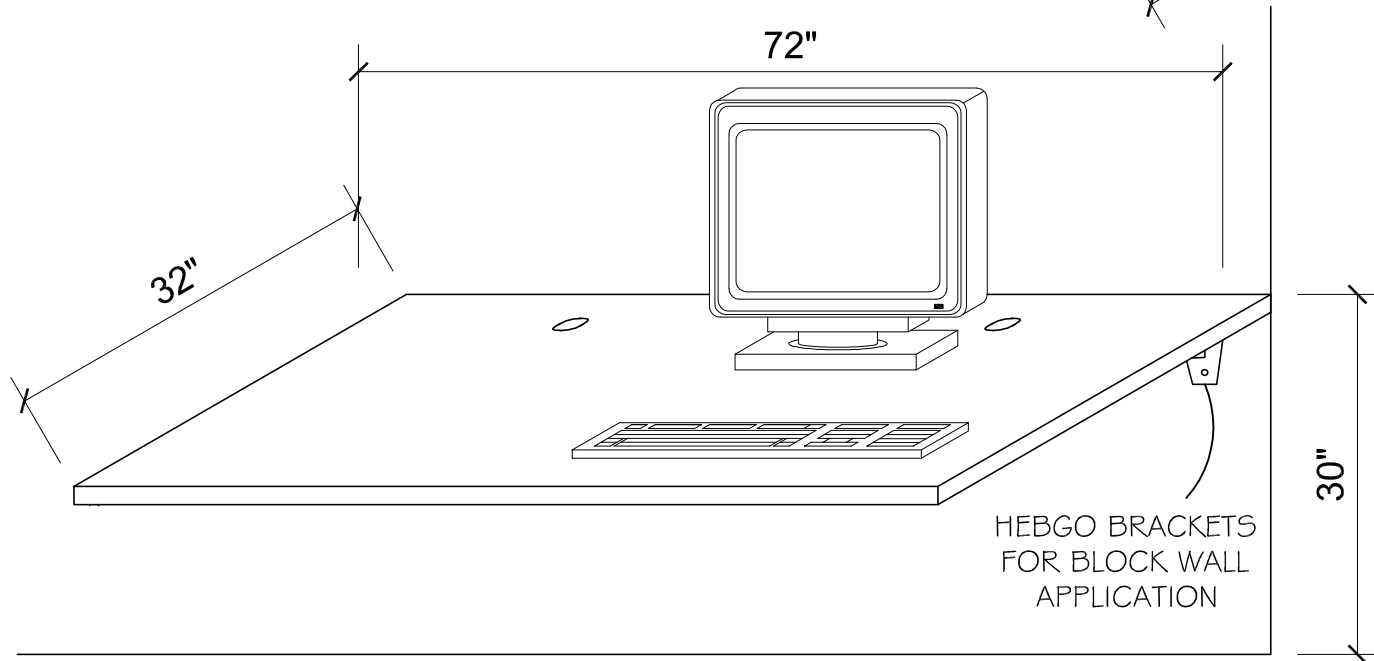
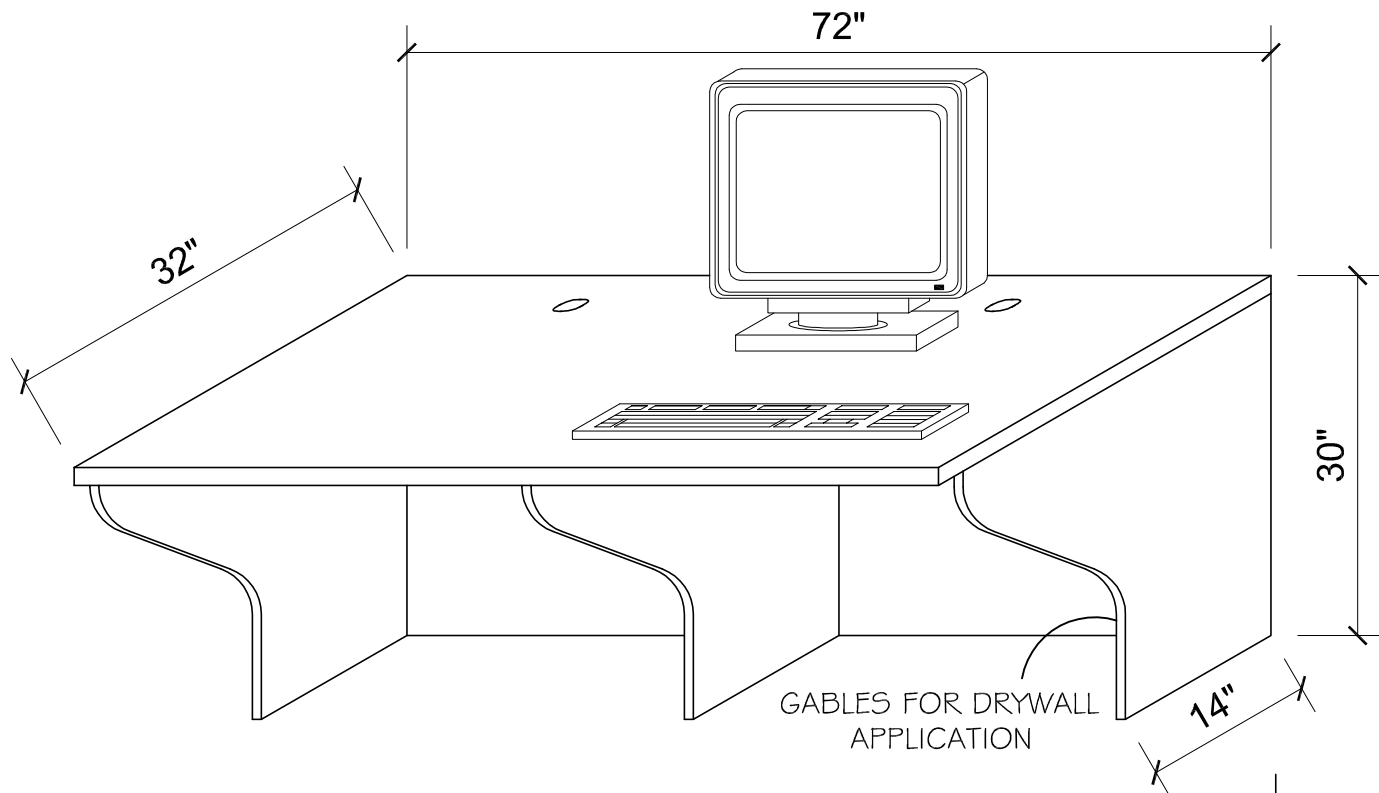


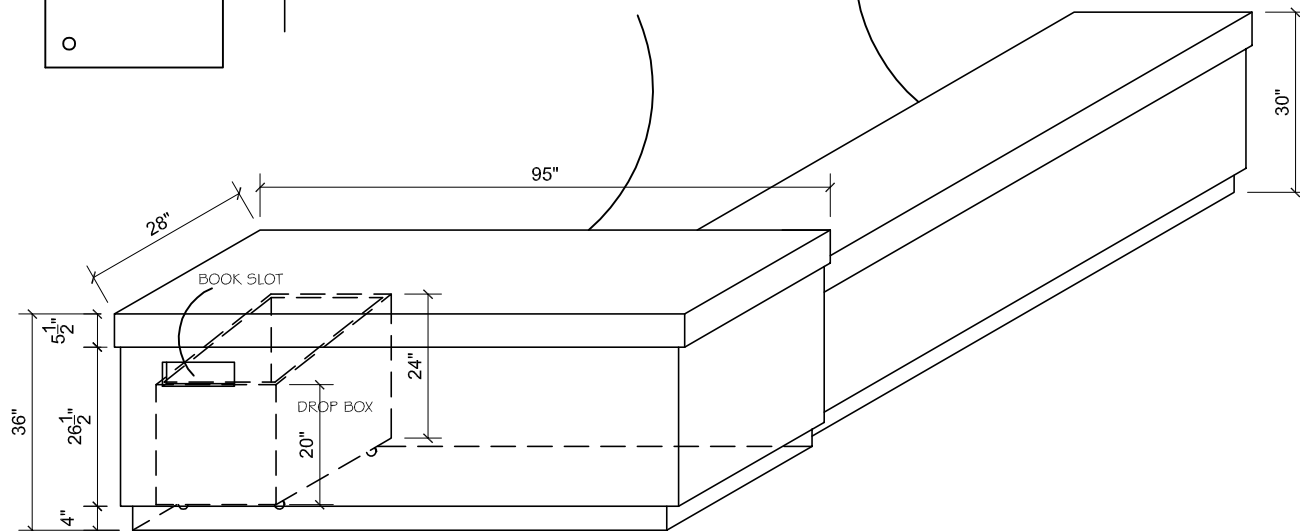
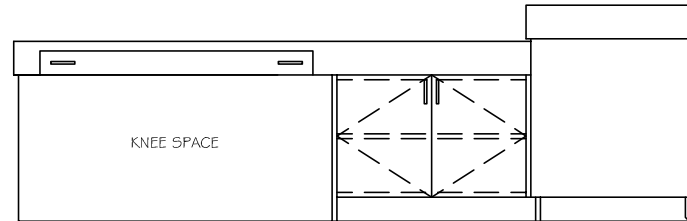
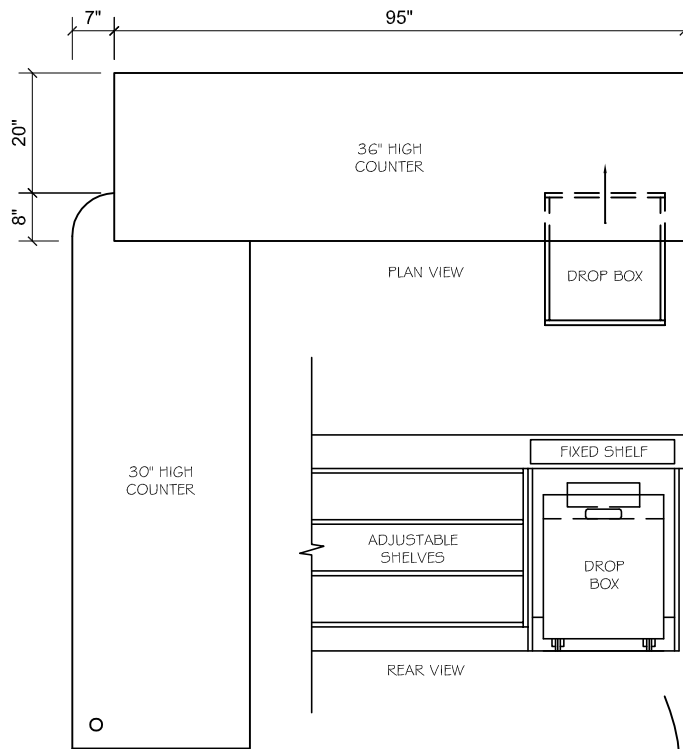
27" BASE UNIT WITH DOORS AND OPEN SHELVES ABOVE

A12

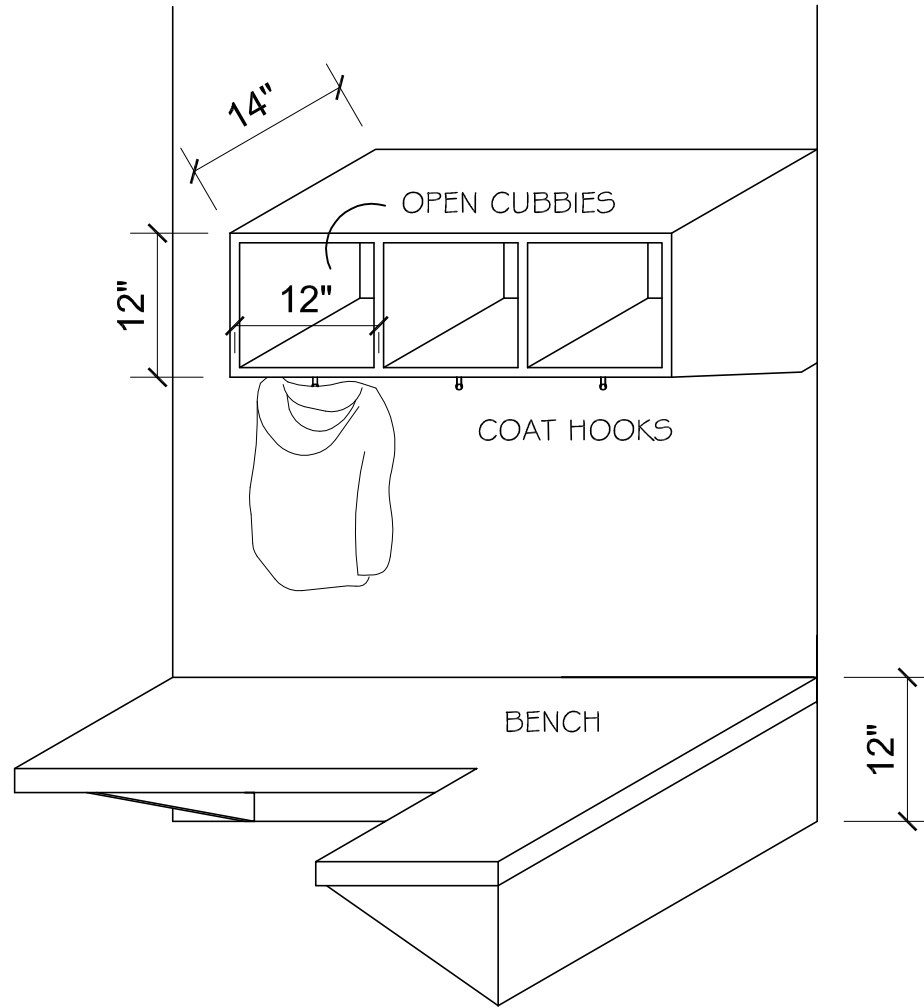


CLASSROOM SINK BASE WITH UPPERS

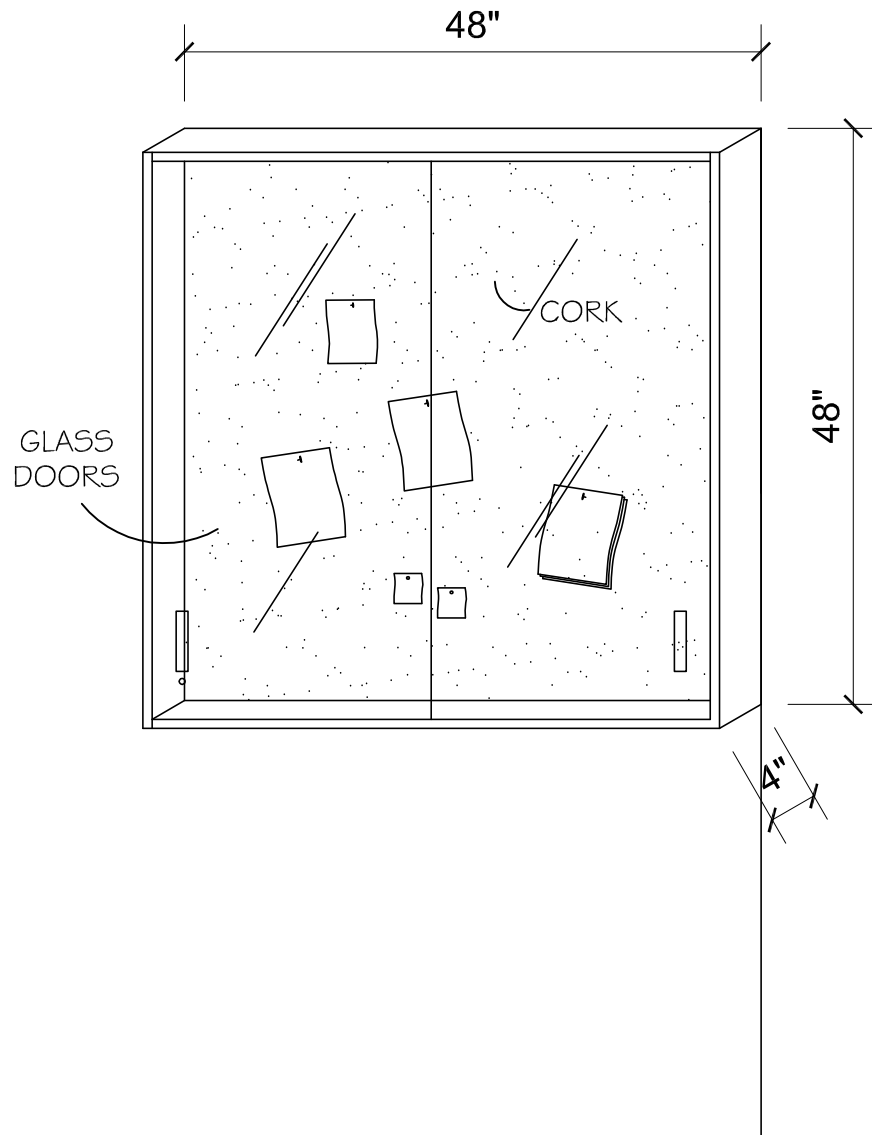


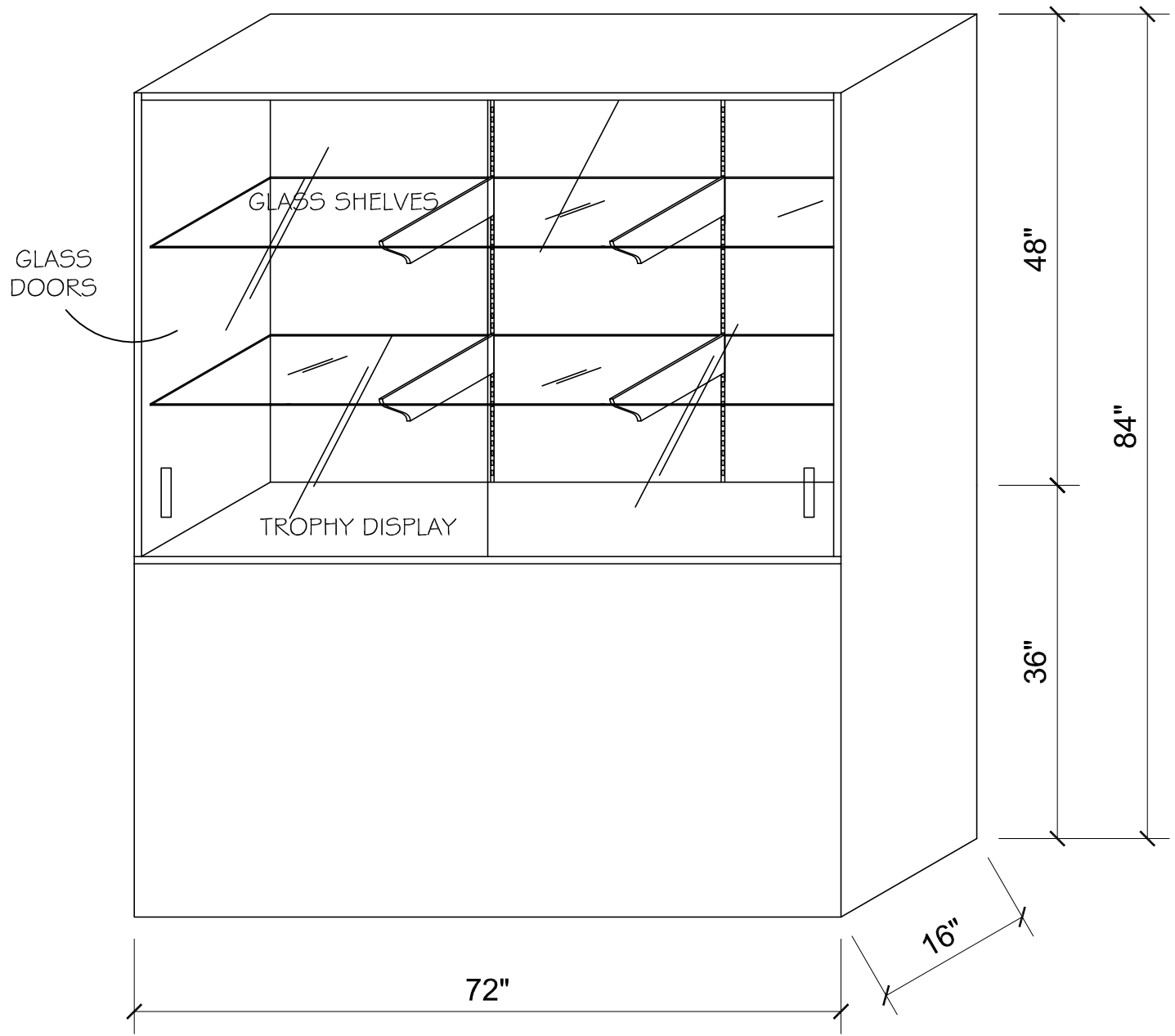






BENCH WITH OPEN CUBBIES ABOVE





GLASS DISPLAY CABINET ON SUPPORT BASE	A18
---------------------------------------	-----